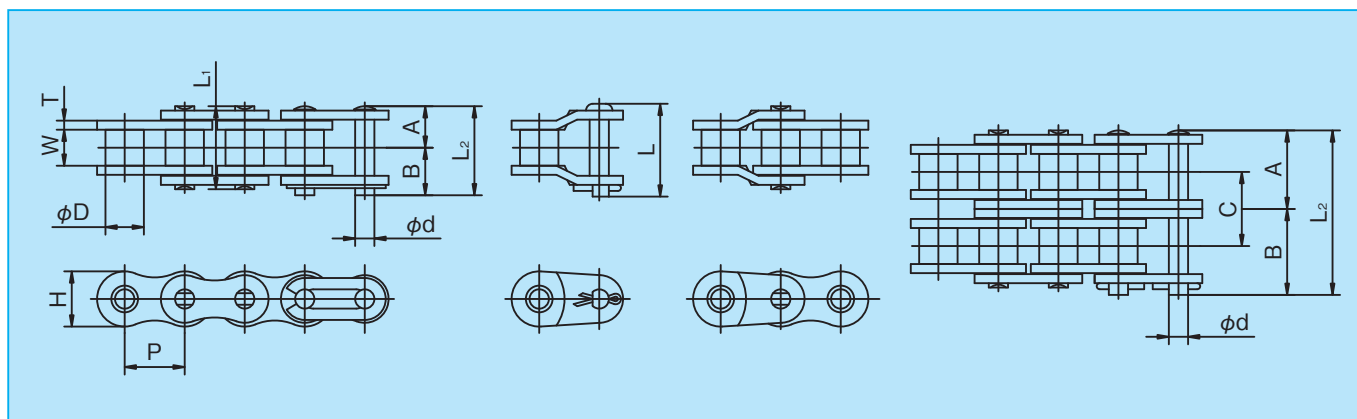


All KCM stainless steel (SS) chains are made of SUS304(18Cr-8Ni) austenite stainless steel for use in operating environment requiring high thermal resistance (-20 to 400°C), corrosion resistance, and cleanliness. They can also be fitted with attachments for conveying purpose.

NOTE: The KCM stainless steel roller chains have slight magnetic property as a result of cold manufacturing.



JIS Roller Chains

[Unit: mm]

KCM Chain No.	Pitch P	Width between Inner Plates W	Roller Dia. D	Pin					Link Plate		Transverse Pitch C	Max. Allowable Load kN (kgf)	Approx. Weight (kg/m)	Links of 1 unit	
				Dia. d	A	B	(A+A) _{L₁}	(A+B) _{L₂}	Offset L	Thickness T					Height H
KCM 25 SS KCM 25 SS-2	6.35	3.18	*3.30	2.31	3.82 7.03	4.83 8.02	7.65 14.05	8.65 15.05	—	0.75	5.8	6.4	0.12 (12) 0.21 (21)	0.14 0.26	480
KCM 35 SS KCM 35 SS-2	9.525	4.78	*5.08	3.59	5.77 10.82	7.13 12.18	11.55 21.65	12.90 23.00	13.85 23.95	1.25	8.8	10.1	0.26 (27) 0.45 (46)	0.33 0.65	320
KCM 40 SS KCM 40 SS-2	12.70	7.95	7.92	3.97	8.07 15.27	9.58 16.78	16.15 30.55	17.65 32.05	19.05 33.45	1.5	11.7	14.4	0.44 (45) 0.76 (77)	0.63 1.19	240
KCM 50 SS KCM 50 SS-2	15.875	9.53	10.16	5.09	10.20 19.25	11.60 20.68	20.40 38.50	21.80 39.90	23.05 41.15	2.0	14.6	18.1	0.69 (70) 1.17 (119)	1.04 2.01	192
KCM 60 SS KCM 60 SS-2	19.05	12.70	11.91	5.96	12.70 24.10	14.20 25.60	25.40 48.20	26.90 49.70	29.55 52.35	2.4	17.5	22.8	1.03 (105) 1.76 (179)	1.50 2.95	160
KCM 80 SS KCM 80 SS-2	25.40	15.88	15.88	7.94	16.15 30.80	19.25 33.90	32.30 61.60	35.40 64.70	37.10 66.40	3.2	23.0	29.3	1.77 (180) 3.00 (306)	2.62 5.12	120
KCM 100 SS KCM 100 SS-2	31.75	19.05	19.05	9.54	20.20 38.10	23.15 41.05	40.40 76.20	43.35 79.15	44.05 79.85	4.0	28.9	35.8	2.55 (260) 4.33 (442)	4.09 8.10	96

NOTES: - Figures marked with asterisk * imply bush diameter.
 - For the KCM25SS, only two-pitch offset links are available.
 - For dimensions of the attachments, refer to pages 36 to 37.
 - Connecting links of KCM80SS or larger models use split pins.

ISO-B (European Type) Stainless Roller Chains

[Unit: mm]

KCM Chain No.	Pitch P	Width between Inner Plates W	Roller Dia. D	Pin					Link Plate		Transverse Pitch C	Max. Allowable Load kN (kgf)	Approx. Weight (kg/m)	Links of 1 unit	
				Dia. d	A	B	(A+A) _{L₁}	(A+B) _{L₂}	Offset L	Thickness T					Height H
KCM 04 SS	6.00	2.80	4.00	1.85	3.23	4.12	6.45	7.35	—	0.6	4.9	—	0.06 (6)	0.11	834
KCM 05B SS KCM 05B SS-2	8.00	3.00	5.00	2.31	3.82 6.65	4.83 7.65	7.65 13.30	8.65 14.30	—	0.75	7.1	5.64	0.12 (12) 0.21 (21)	0.18 0.34	626
KCM 06B SS KCM 06B SS-2	9.525	5.72	6.35	3.28	6.10 11.22	7.50 12.63	12.20 22.45	13.60 23.85	15.15 25.40	1.3 (1.0)	8.1	10.24	0.26 (27) 0.45 (46)	0.39 0.77	320
KCM 08B SS KCM 08B SS-2	12.70	7.75	8.51	4.45	8.17 15.12	9.58 16.53	16.35 30.25	17.75 31.65	19.30 33.20	1.5	11.7	13.92	0.44 (45) 0.76 (77)	0.65 1.25	240
KCM 10B SS KCM 10B SS-2	15.875	9.65	10.16	5.08	9.58 17.87	11.02 19.33	19.15 35.75	20.60 37.20	21.95 38.55	1.65	14.6	16.59	0.70 (70) 1.17 (119)	0.94 1.84	192
KCM 12B SS KCM 12B SS-2	19.05	11.68	12.07	5.72	11.05 20.77	12.55 22.28	22.10 41.55	23.60 43.05	26.30 45.75	1.8	16.0	19.46	1.00 (105) 1.76 (179)	1.25 2.44	160
KCM 16B SS KCM 16B SS-2	25.40	17.02	15.88	8.28	17.60 33.55	20.70 36.65	35.20 67.10	38.30 70.20	41.65 73.55	4.0 (3.2)	19.7	31.88	1.77 (180) 3.00 (306)	2.63 5.19	120

NOTES: - For the KCM 04SS and 05BSS, only two-pitch offset links are available.
 - Connecting links of KCM 16BSS are of split pin type.