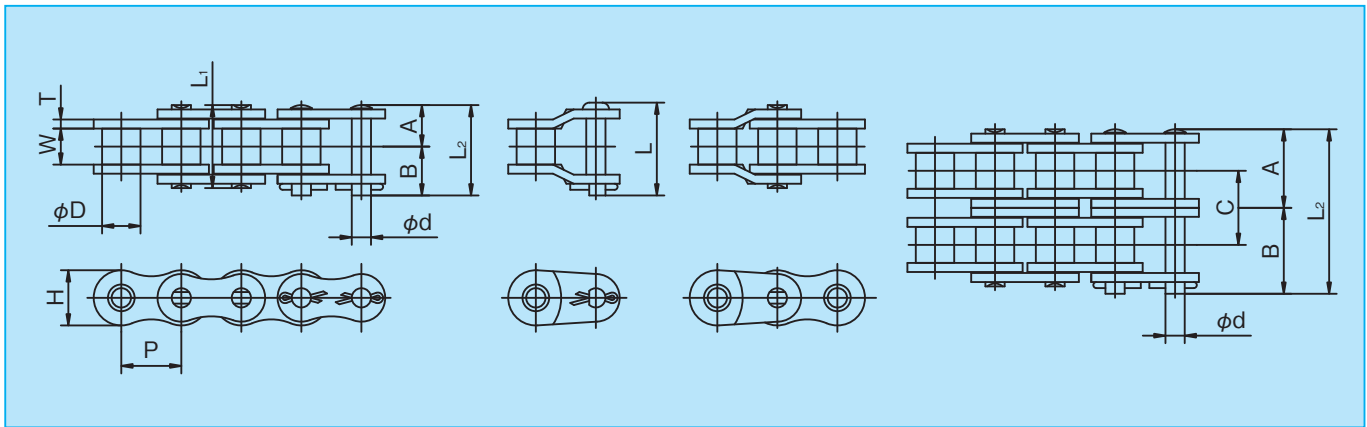


KCM H-type roller chains are designed for increase in strength, compared to ANSI H-type, by thickening the link plates of standard roller chains and using high-strength pins.



○ Dimensions

[Unit: mm]

KCM Chain No.	Pitch P	Width between Inner Plates W	Roller Dia. D	Pin						Link Plate		Transverse Pitch C	Ave. Tensile Strength kN (kgf)	Max. Allowable Load kN (kgf)	Approx. Weight (kg/m)	Links of 1 unit
				Dia. d	A	B	(A+A) L ₁	(A+B) L ₂	Offset L	Thickness T	Height H					
KCM 40H	12.70	7.95	7.92	3.97	9.05	10.55	18.10	19.60	21.00	2.0	11.7	16.4	23.5 (2,400)	3.92 (400)	0.73	240
KCM 40H-2					17.25	18.75	34.50	36.00	37.40				47.0 (4,800)	6.67 (680)		
KCM 50H	15.875	9.53	10.16	5.09	10.98	12.42	21.95	23.40	24.65	2.4	14.6	19.6	36.2 (3,700)	6.57 (670)	1.43	192
KCM 50H-2					20.78	22.22	41.55	43.00	44.25				72.5 (7,400)	11.18 (1,140)		
KCM 60H	19.05	12.70	11.91	5.96	14.35	15.65	28.70	30.00	32.65	3.2	17.5	26.1	50.0 (5,100)	9.60 (980)	1.77	160
KCM 60H-2					27.30	28.80	54.60	56.10	58.80				100.0 (10,200)	16.27 (1,660)		
KCM 80H	25.40	15.88	15.88	7.94	17.80	20.70	35.60	38.50	40.15	4.0	23.0	32.6	89.2 (9,100)	16.18 (1,650)	2.96	120
KCM 80H-2					34.00	37.10	68.00	71.10	72.80				178.5 (18,200)	27.45 (2,800)		
KCM 100H	31.75	19.05	19.05	9.54	21.80	24.60	43.60	46.40	48.30	4.8	28.9	39.1	128.5 (13,100)	24.50 (2,500)	4.17	96
KCM 100H-2					41.27	44.23	82.55	85.50	87.40				256.9 (26,200)	41.67 (4,250)		
KCM 120H	38.10	25.40	22.23	11.11	26.95	30.15	53.90	57.10	59.20	5.6	35.0	48.9	175.5 (17,900)	31.84 (3,350)	6.28	80
KCM 120H-2					51.30	54.70	102.60	106.00	108.10				351.1 (35,800)	55.78 (5,690)		
KCM 140H	44.45	25.40	25.40	12.71	28.95	32.95	57.90	61.90	63.80	6.4	40.7	52.2	229.5 (23,400)	43.13 (4,400)	7.83	68
KCM 140H-2					55.05	59.05	110.10	114.10	116.00				459.0 (46,800)	72.55 (7,400)		

NOTES: - Connecting links of KCM 40H to KCM 60H are clip type.

- Single strand chain can be used with KCM standard sprockets.

- Multiple strand chain is separately manufactured because the center-to-center distance of the rollers (transverse pitch) "C" is different from that of standard type.